

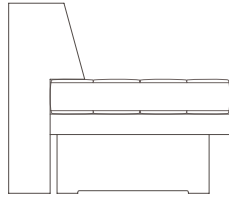
Omnibus II
Tight Back
Loose Tufted Seat

Designed 1953

Base: Lucite

COM: See Last Page

Seat Height 16.5"

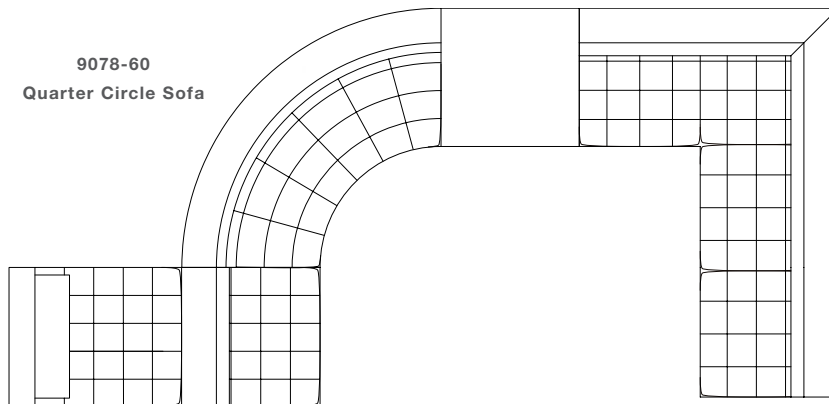


9050
Illuminated Side Table

9078-60
Quarter Circle Sofa

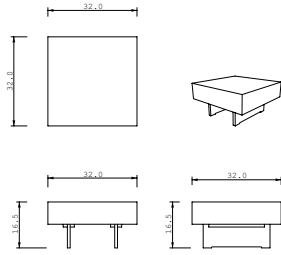
9071-90-R
Corner with Back
Extension

9070 High Low

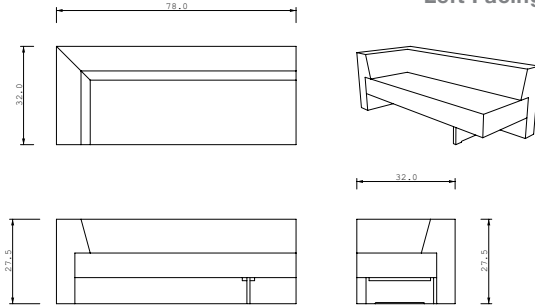


Omnibus Sectional

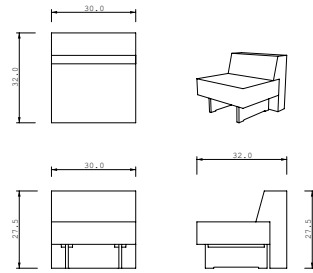
9080 Ottoman



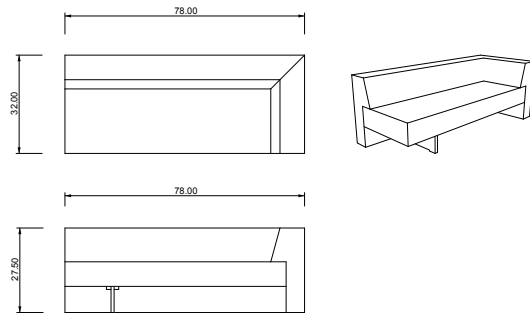
**9076-L One Arm Sofa
Left Facing**



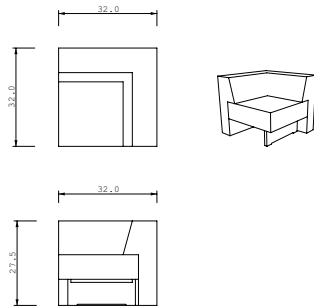
9073-30 Armless Chair



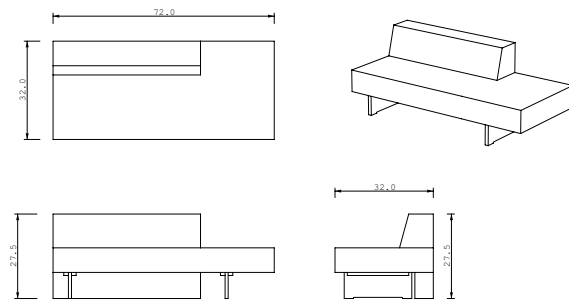
**9076-R One Arm Sofa
Right Facing**



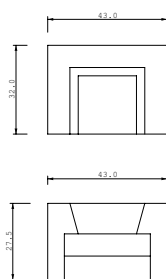
9073-32 Corner Chair



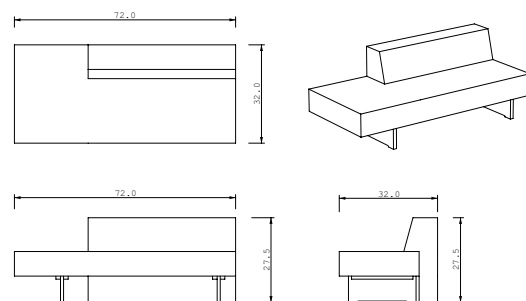
**9074 R Love Seat with Extension
Right Facing**



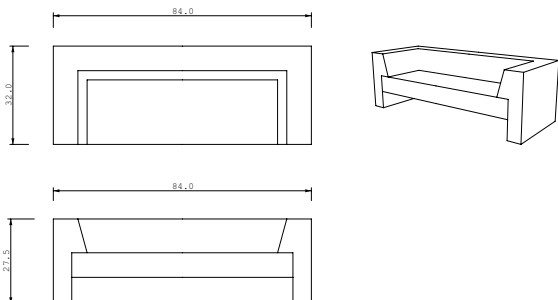
9073 Arm Chair



**9074 L Love Seat with Extension
Left Facing**

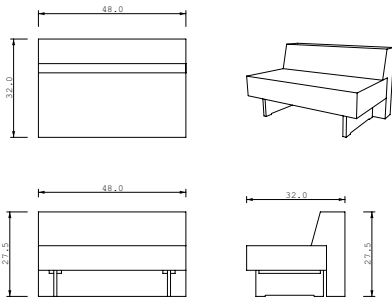


9076 AA Two Arm Sofa

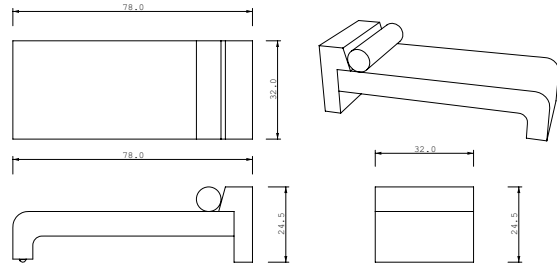


Omnibus Sectional

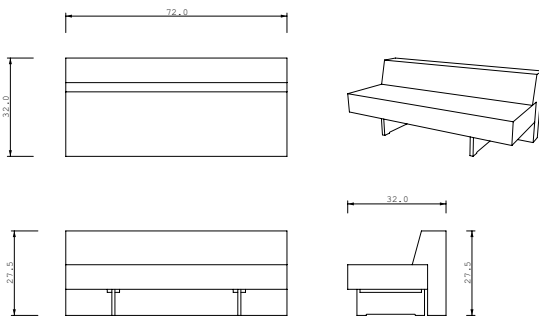
9073-48 Armless Loveseat



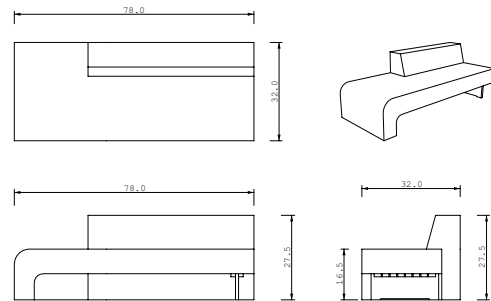
9075-W Daybed Lounge with Waterfall



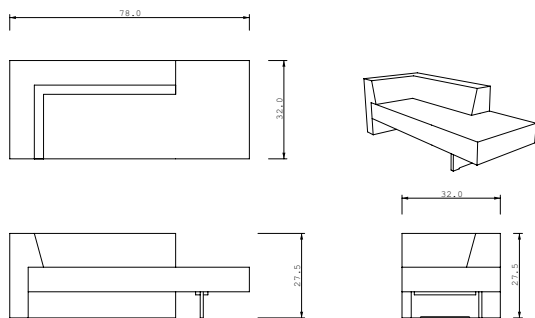
9073-72 Armless Sofa



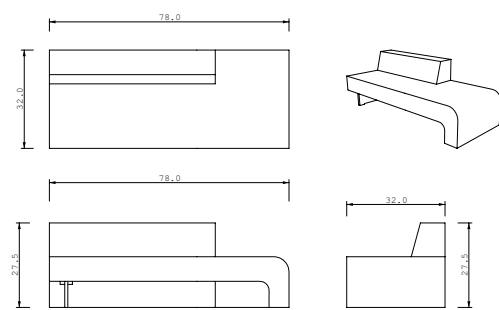
**9074 W-R Chaise with Seat Extension and Waterfall
Right Facing**



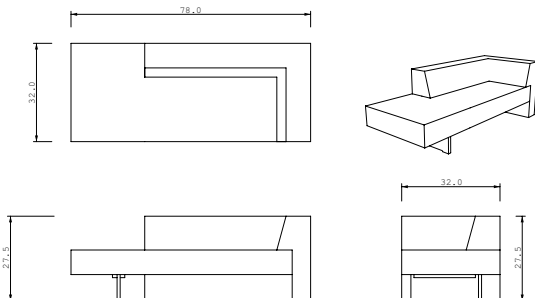
**9074-AR Loveseat with Arm
Right Facing**



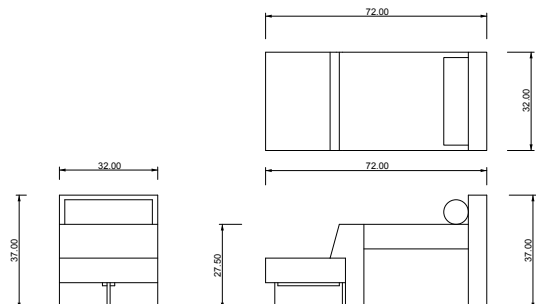
**9074 W-L Chaise with Seat Extension and Waterfall
Left Facing**



**9074-AL Loveseat with Arm
Left Facing**

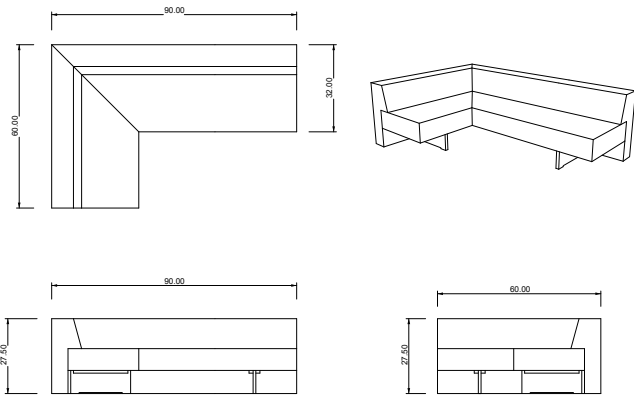


9070-60 High Low

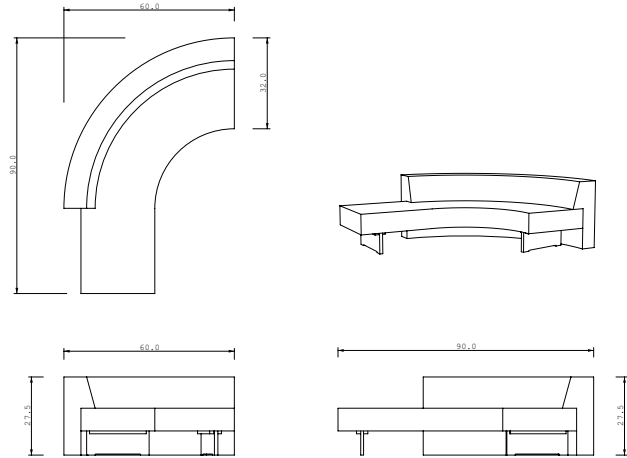


Omnibus Sectional

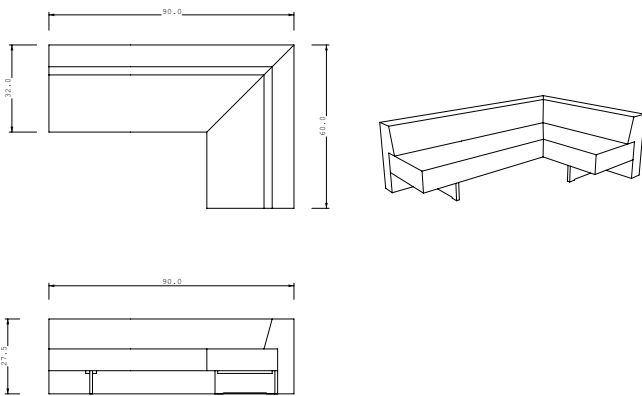
9071-90-R Corner with Back Extension
Right Facing



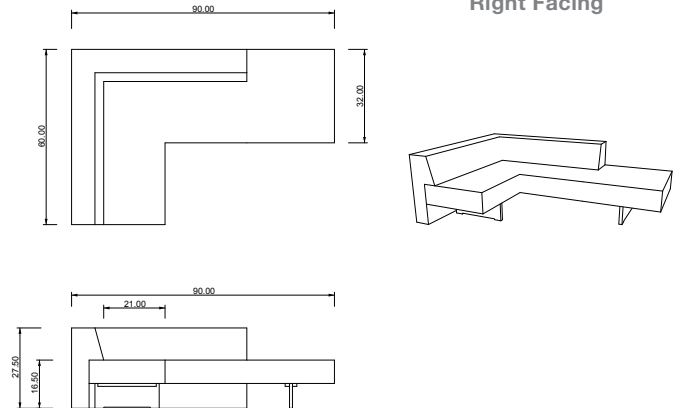
9078-60-L Quarter Circle Sofa with Seat Extension
Left Facing



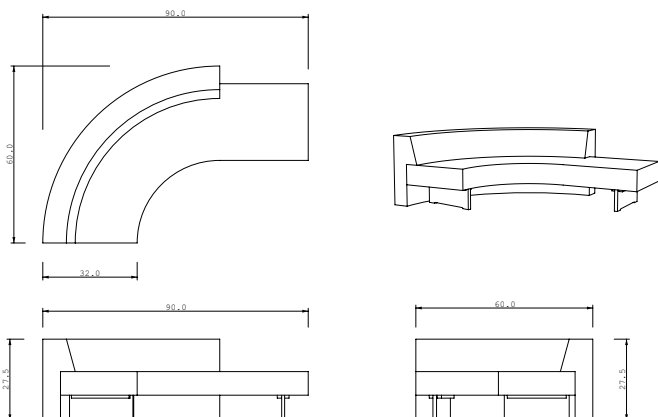
9071-90-L Corner with Back Extension
Left Facing



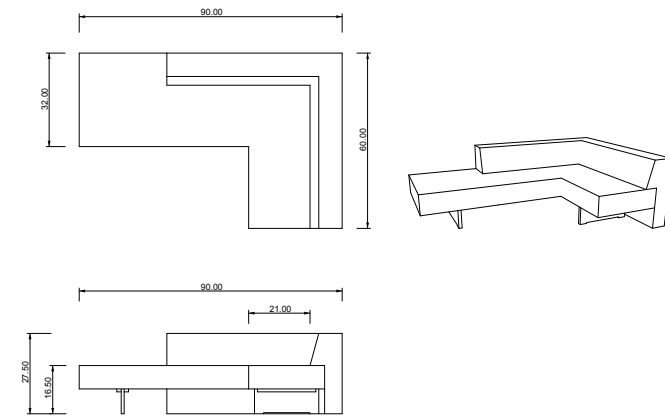
9072-R Corner with One Seat Extension
Right Facing



9078-60-R Quarter Circle Sofa with Seat Extension
Right Facing

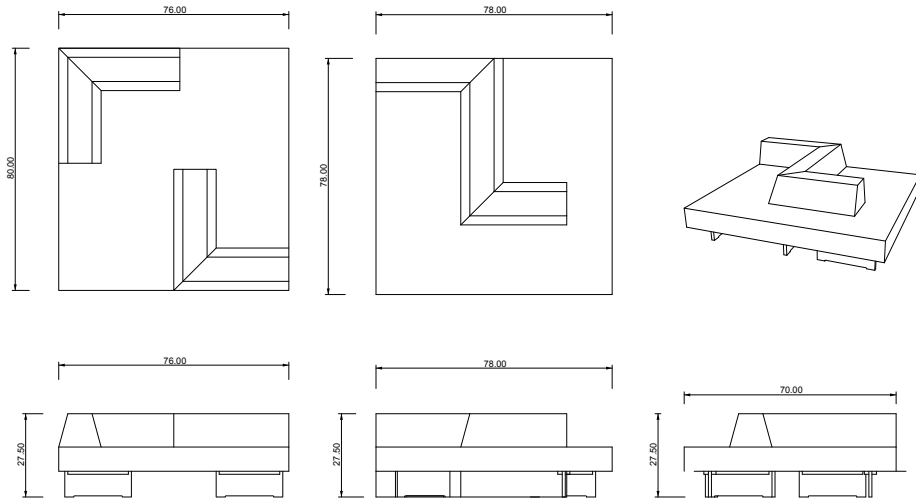


9072-L Corner with One Seat Extension
Left Facing

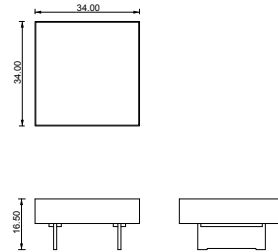


Omnibus Sectional

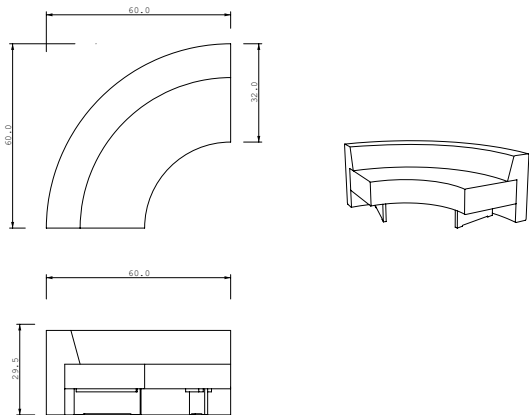
9090 Back to Back Sofa



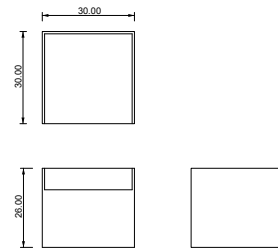
9050 Illuminated End Table



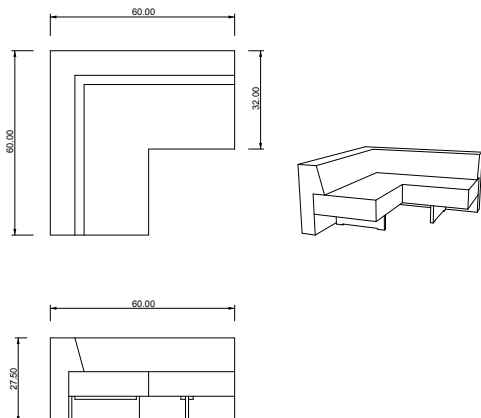
9078-60 Quarter Circle Sofa



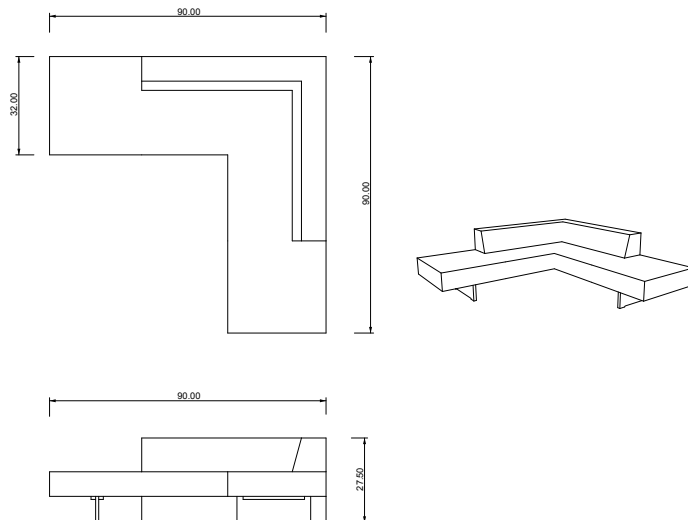
9045 Illuminated Light Cube End Table



9071-60 Corner Sofa



9072-EL Corner with Two Seat Extension





Omnibus Sectional

omnibus I

product #	COM
9070	10
9071-60	17
9071-90-R&L	18
9072-EL	18
9072-R&L	18
9073	9
9073-30	6
9073-32	8
9073-48	7
9073-72	11
9073-L&R	13
9074-AR&AL	11
9074-WR&WL	11
9075-W	11
9076-AA	14
9076-L&R	10
9077	19
9078-60	13
9078-60R&L	14
9080	3
9090	15

omnibus II

product #	COM
9070	15
9071-60	25
9071-90-R&L	27
9072-EL	28
9072-R&L	28
9073	12
9073-30	8
9073-32	10
9073-48	9
9073-72	16
9073-L&R	18
9074-AR&AL	17
9074-WR&WL	16
9075-W	16
9076-AA	19
9076-L&R	15
9077	27
9078-60	19
9078-60R&L	21
9080	5
9090	25

omnibus III

product #	COM
9070	18
9071-60	31
9071-90-R&L	34
9072-EL	34
9072-R&L	34
9073	14
9073-30	10
9073-32	12
9073-48	12
9073-72	19
9073-L&R	22
9074-AR&AL	20
9074-WR&WL	19
9075-W	18
9076-AA	23
9076-L&R	19
9077	33
9078-60	23
9078-60R&L	24
9080	5
9090	33